



ROFU Security International Corp.

Installation Instructions for ROFU 9500-36

Non Latching Micro Switch Bars

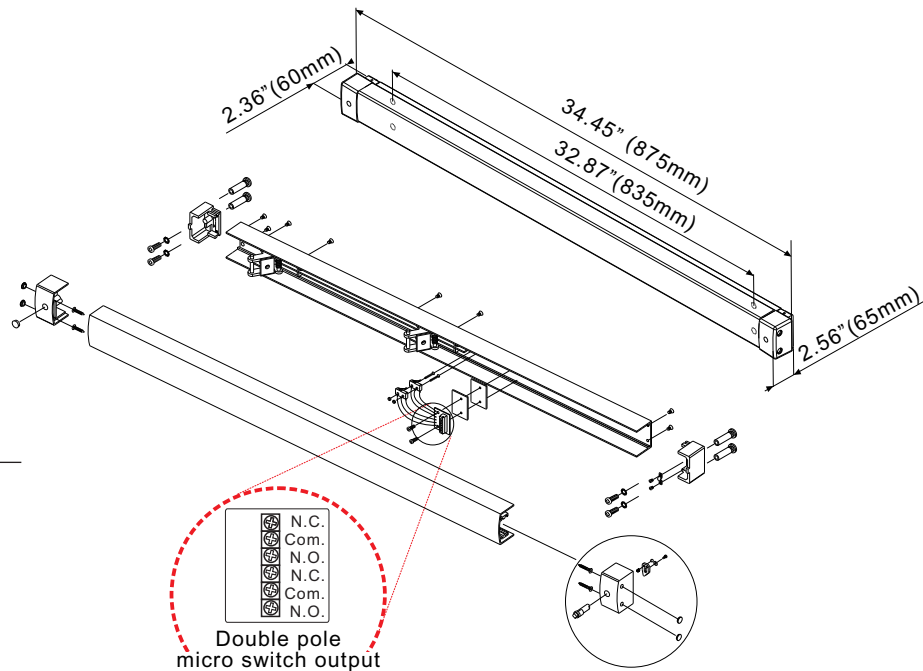
ROFU Security International Corp.
 10029 South Tacoma Way, E-11
 Lakewood, WA 98499 USA
 www.ROFU.com / 1-800-255-7638 (ALL-ROFU)
 OrderEntry@ROFU.com

The ROFU 9500 Micro Switch Bar is installed mainly on emergency exit doors (or other large scale doors). With minimal pressure, the built-in micro switches will cut power to the electromagnetic lock or other electrical devices. The bar is easy to install and is available in US28 or black with a black base trim.

Specifications

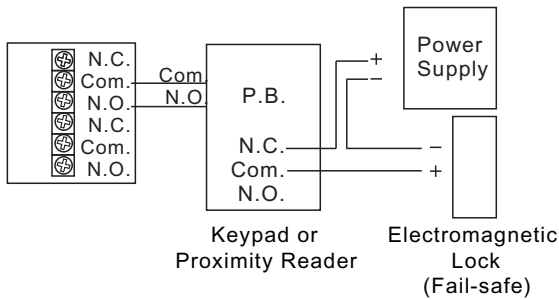
- Dimensions: 34 7/16" x 2 3/8" x 2 9/16", designed for 36" door
- Voltage: 12/24 VDC
- Switch Rating: SPDT 5Amp/125VAC
- Finish: US28 or Black

Dimensions



Wiring Diagram

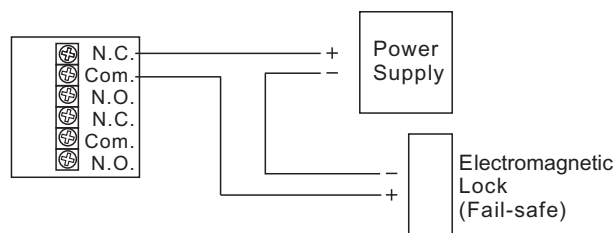
Fig.A



Applications

Connect to the push button terminal of the digital keypad or proximity reader.

Fig.B



Directly control the fail-safe electromagnetic lock.

