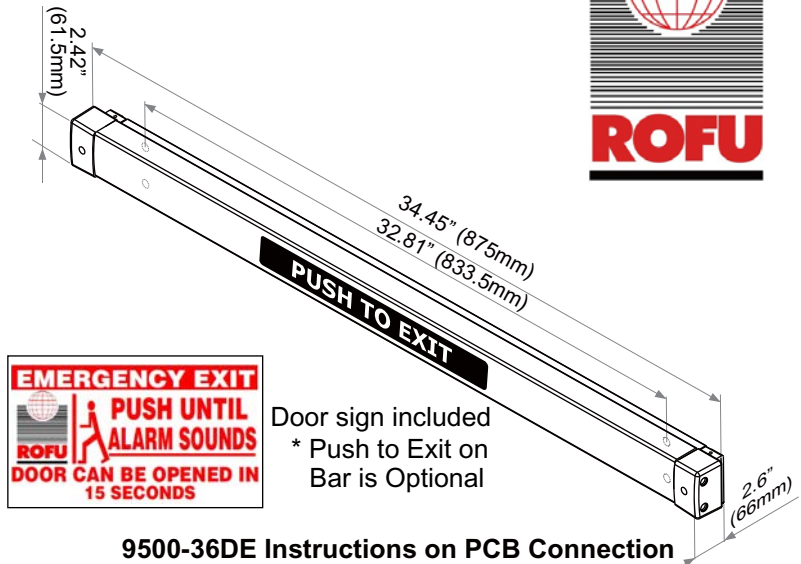


# ROFU 9500-36DE Delayed Egress Micro Switch Bar

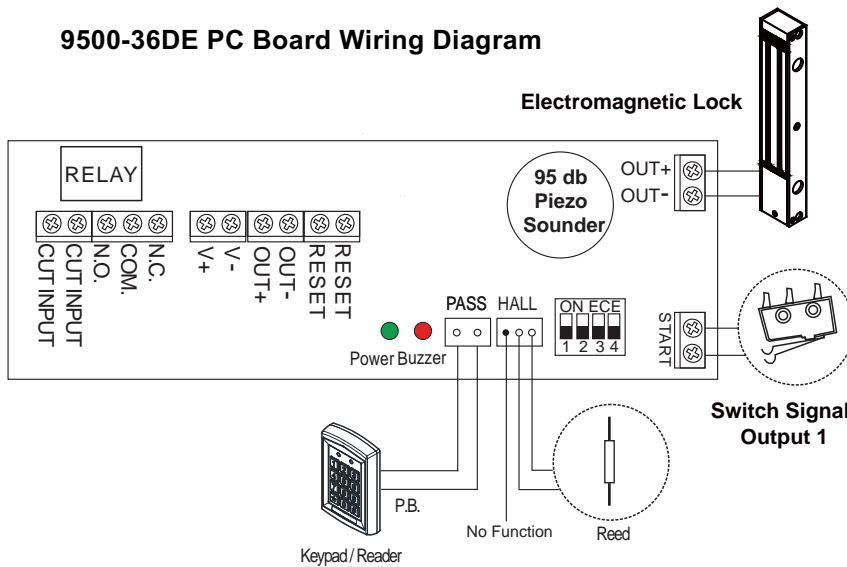


The 9500-36DE Micro Switch Bar is designed for doors openings that require a delayed egress where you may already have a standard magnetic lock installed. We introduce you to our new and easy way to make it work! Our ROFU 9500-36DE offers easy installation and functionality. The PC board is completely adjustable for both delay and nuisance, so it meets all the NFPA and IBC requirements. For life safety and security reasons, please install with a fail safe device. We recommend a ROFU electromagnetic lock. We also recommend you use a UL listed power supply and battery backup in case of power failure.



Door sign included  
\* Push to Exit on Bar is Optional

## 9500-36DE PC Board Wiring Diagram

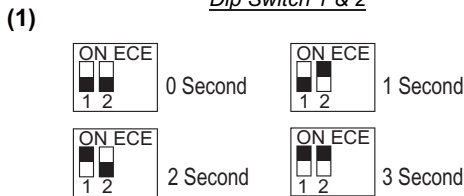


## 9500-36DE Instructions on PCB Connection

Terminal	Connection
RESET	Reset input (Keyswitch)
RESET	
OUT -	Fail-safe electrified lock contacts 1 Output rating : 9~12VDC, 0.85A
OUT +	
V -	Power input UL Listed Power Supply, 12VDC
V +	
N.C.	Relay contacts for external buzzer Rating : 1A/24VDC
COM.	
N.O.	
CUT IN	Emergency signal input (Door Pull /Fire panel system)
CUT IN	
OUT-	Fail-safe electrified lock contacts 2 Output rating : 9~12VDC, 0.85A
OUT+	
START	Switch signal output 1 (for 9500-36DE)
RED(N.C.) BLACK(COM.) WHITE(N.O.)	Switch signal output 2 (for external device)
PASS	Connection to UL Listed keypad or reader for egress without sounder
HALL	Door Ajar Input (Connected to UL Listed Door Status Sensor) When the door is left open for more than 4 seconds, a door ajar alarm will sound until the door is closed.

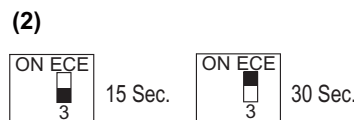
### Nuisance Delay Setting

Setting of the Depressed Time of Micro Switch Bar  
Dip Switch 1 & 2



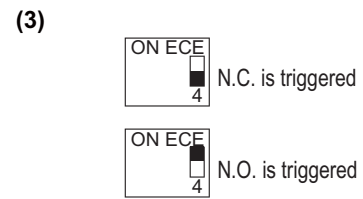
### Delay Egress Setting

Dip Switch 3



### Emergency Signal Input (N.C./ N.O.)

Dip Switch 4



## Operation Notes

- (1) The nuisance delay time can be set to 0 sec, 1 sec, 2 sec, or 3 sec before triggering the piezo alarm when the door remains locked. Set up the time by moving dip switch 1 & 2. *Note: The 0 second nuisance does not include the 200 millisecond de-bounce delay - it was added to eliminate false triggering. The actual delay is 0.2 seconds.*
- (2) When the micro switch bar is pressed, the delay egress count-down begins and the piezo alarm will go off (based on nuisance delay settings). Adjust dip switch #3 to set delay egress to 15 or 30 seconds for locking device to release. Verify with your AHJ (Authority Having Jurisdiction) as to which time you must follow.
- (3) When the emergency signal input (CUT IN) is triggered under emergency circumstances, the magnetic lock on a door will be released to exit immediately. \* Emergency signal input should be normally closed so that it's fail safe.

The alarm beeps every single second before the delay egress ends. After the ending of delay egress, the piezo continuously sounds until a RESET is triggered by key switch or other mode of reset. \*The reset function can be used during the egress delay.

The bypass function can be used with access control system to exit the door without putting the 9500-36DE into alarm, by using the PASS input on the PC Board.