

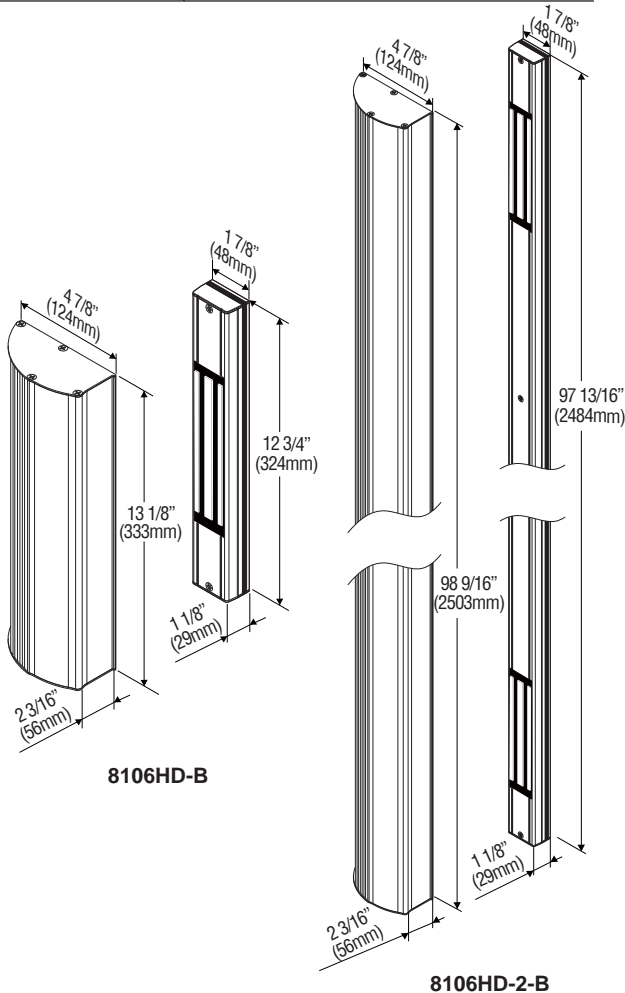


ROFU Security International Corp.
Installation Instructions for the ROFU Pull Handle Models:
8106HD Series Magnetic Locks
 10029 S. Tacoma Way, E-11
 Lakewood, WA 98499 USA
 1-800-255-7638 (1-800-ALL-ROFU)
 www.ROFU.com
 OrderEntry@ROFU.com

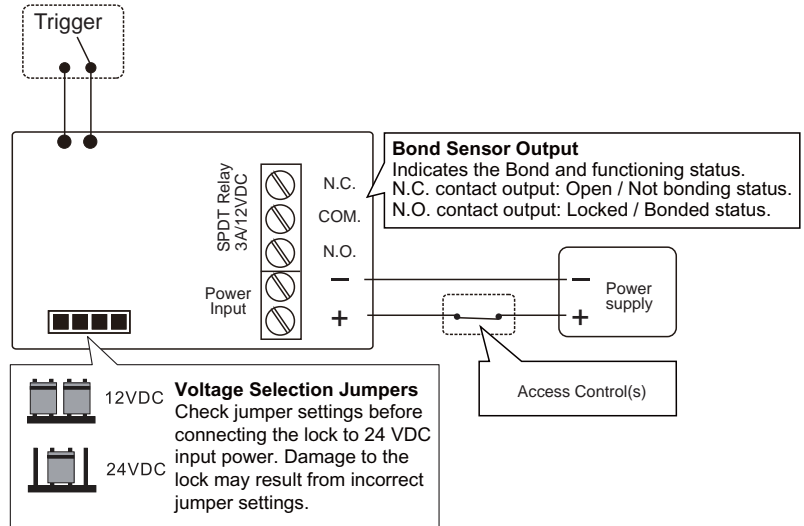
Specifications

Model	8106HD-B	8106HD-2-B
Operating Voltage	12/24VDC	12/24VDC (each side)
Current Draw	500mA/12VDC, 250mA/24VDC	500mA/12VDC, 250mA/24VDC (each side)
Operating Temperature	-10~55°C(14~131°F)	
Bond Sensor Output	3A/12VDC	3A/12VDC (each side)
Holding Force	600 lbs (272Kg)	600 lbs (272Kg) (each side)
Finish	US28	

Dimensions



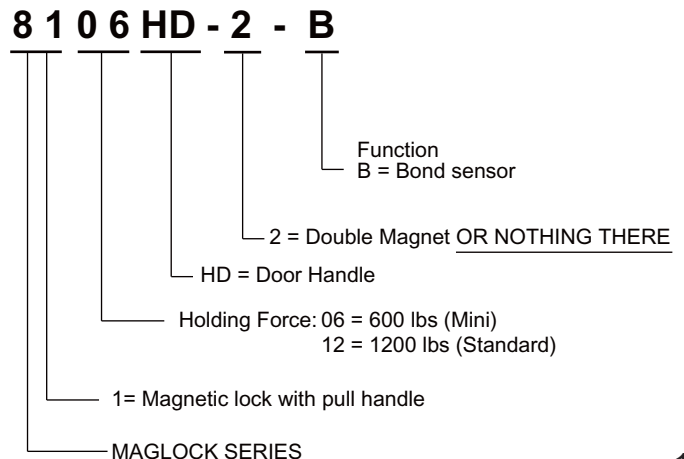
Connecting Diagram



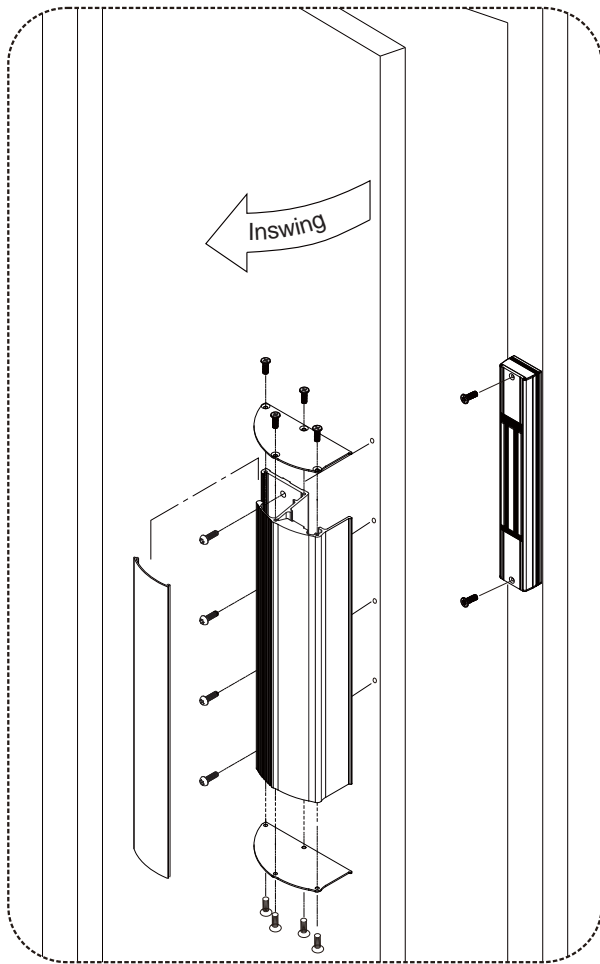
Installation Instructions

1. Close the door and make sure the door and door frame are on the same level. Add additional plate spacers if needed.
2. Place the template in the proper position on the door and frame.
3. Drill holes for cable access and blind nuts according to the template.
4. Install blind nuts to secure the magnetic lock assembly.
5. Secure the armature plate assembly. Connect the power wires and test the holding force. Add rubber washers if there is still a gap between the armature plate and magnet.

Model Changes to ROFU Electromagnetic Locking Devices

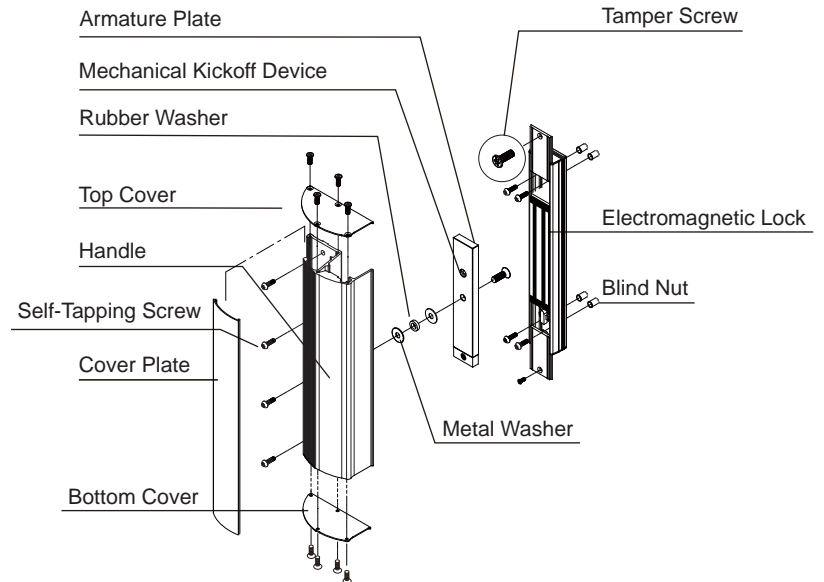


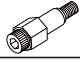



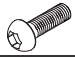

Installation Diagram & Screw Pack Components



Armature Assembly

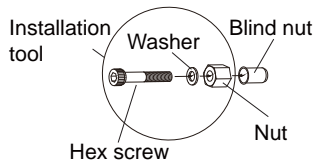
Magnet Assembly



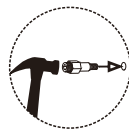
Components	8106HD-B	8106HD-2-B
Blind Nut Assembly 	x 1 (1/4" x 1 3/8")	x 1 (1/4" x 1 3/8")
Blind Nut 	x 7 (1/4")	x 16 (1/4")
Hexagon Key (Allen Wrench) 	(5/32") x 1 (3/16") x 1	x 1 (3/16")
Torx Wrench 	x 1 (5/32")	x 1 (5/32")
Thru-bolt (Button Head Hex Screw) 	x 8 (1/4" x 5/8")	x 17 (1/4" x 5/8")
Philip Flat Head Screw 	—	x 8 (5/32 x 1/2")

Installing Blind Nuts

1 Blind Nut Assembly

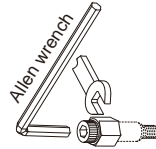


2



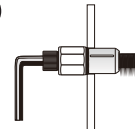
Drill a 3/8" (9.4mm) hole and hammer the blind nut assembly into the hole.

3



Use a wrench or vice-grip to tightly hold the nut. Then use the included Allen wrench to slowly tighten the screw until it does not turn any further.

4



This compresses the blind nut so that it remains permanently fixed in the hole.

5



Remove the installation tool from the blind nut. Repeat step 2 through 4 for the other blind nuts.

Trouble Shooting

Problem	Possible Cause	Solution
Magnet does not lock	No power	<ul style="list-style-type: none"> - Ensure all wires are connected properly. - Check that the power supply is connected and works properly. - Ensure the REX is wired in Common and out the N/C position.
Low holding force * Please remember to test with the supplied armature plate, not a screwdriver.	Poor contact between magnet and armature plate	<ul style="list-style-type: none"> - Is the armature plate warped? - Ensure the armature plate is loose enough to be able to "pivot" and bond with the magnet. - Ensure the surface of the magnet and armature plate are clean. - Use a soft cloth and a spray lubricant to clean it. - Are you using rubber washer on end of through bolt?
	Low voltage or incorrect voltage setting	<ul style="list-style-type: none"> - Check the mag lock and ensure it is set for correct voltage. Check the voltage at the magnet input, if low-determine if you're using the correct gauge of double stranded wire. This will prevent excessive line (voltage) drop.
Sensor output is not functioning	A second diode was installed across the electromagnetic lock	<ul style="list-style-type: none"> - Remove any diode installed across the magnet for "spike" suppression. (The magnet has a metal oxide varistor to prevent back EMF)