



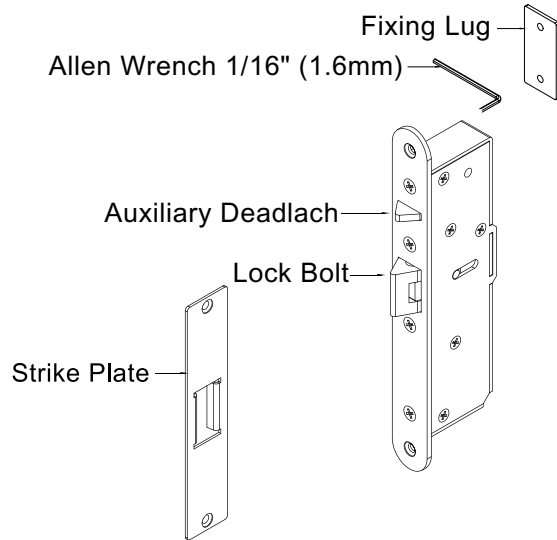
# Electric Lock Installation Instructions

## ROFU 2960

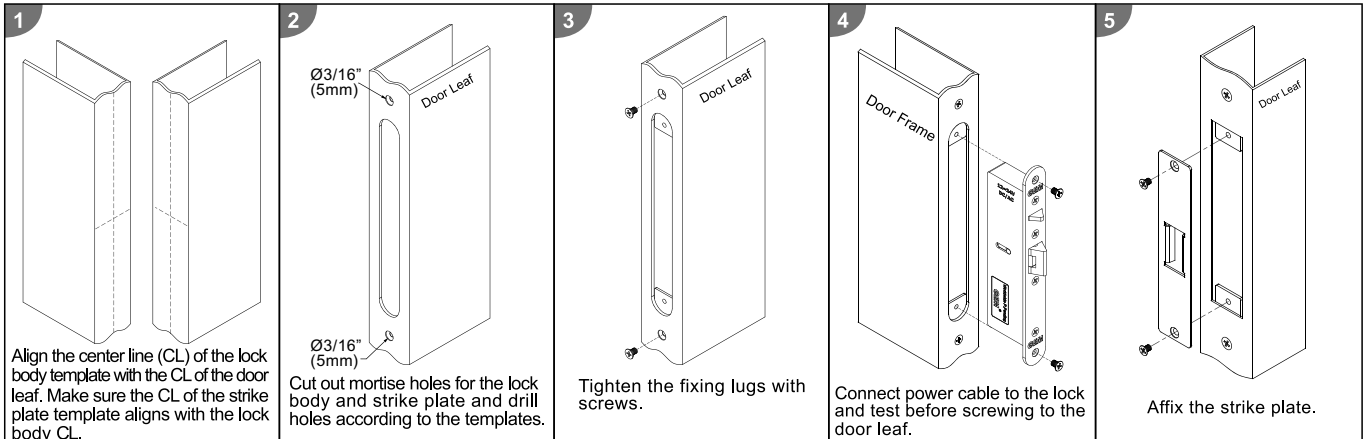
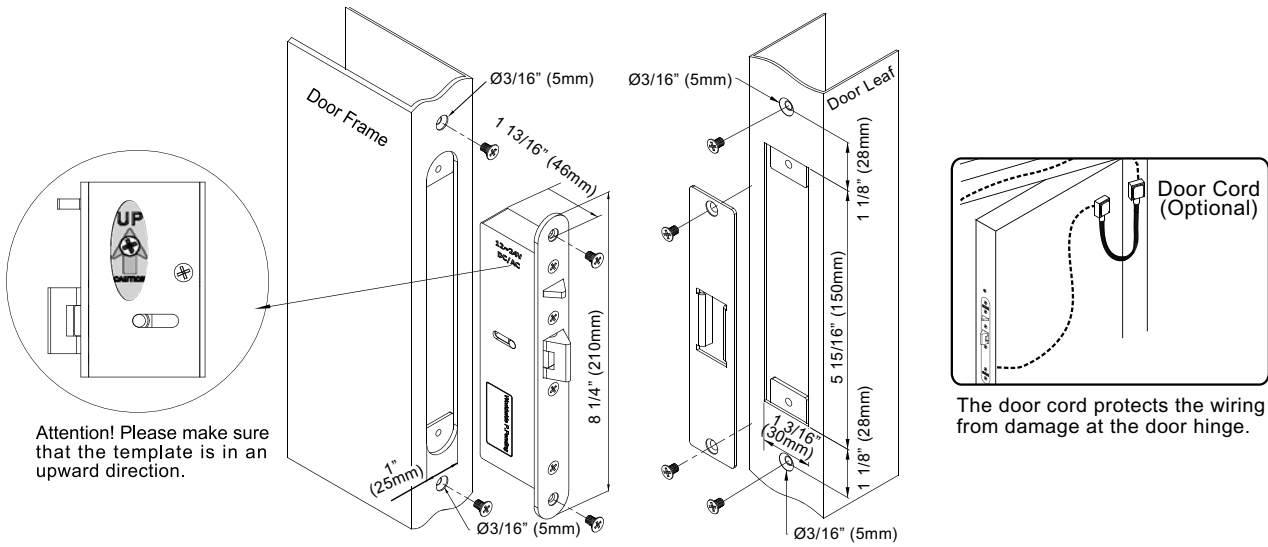
ROFU Security International Corp.  
 10029 S. Tacoma Way, E-11  
 Lakewood, WA 98499 USA  
 1-800-255-7638 (1-800-ALL-ROFU)  
 www.ROFU.com  
 OrderEntry@rofu.com

### Specifications

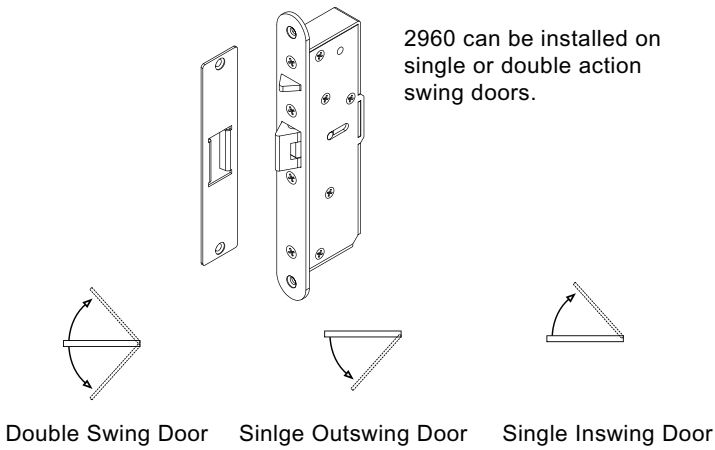
- Operating Voltage: 12~24VDC/AC
- Voltage Tolerance: ±10%
- Current Draw: 210mA/12VDC, 150mA/24VDC
- Lock Mode: Field reversible for fail-safe or fail-secure
- Operating Temperature: +14° to +131°F (-10° to +45°C)
- Humidity: 0 to 95% Non-Condensing
- Lock Bolt Sensor Switch Output: SPDT rated 3A/125VAC
- Cycle Test: Up to 1,000,000 cycles
- Net Weight: 594g
- Application: Horizontal or vertical installation



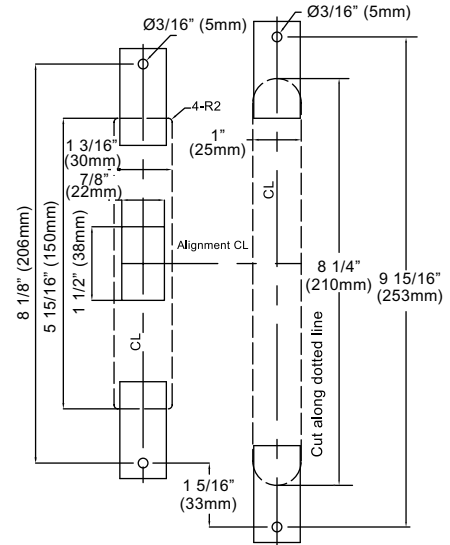
### Installation Instructions



## Door Swing Direction

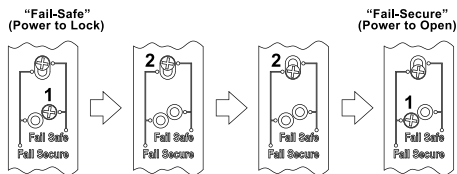


## Template



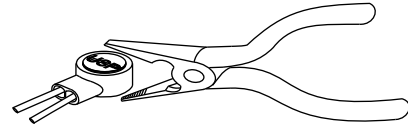
## Changing Fail-Safe/Fail-Secure

1. Loosen and remove the screw 1.
2. Loosen and move the screw 2, and then tighten both screws.



**Caution:** Do not completely loosen screw 2 (as shown in the figure) as the interior solenoid might fall off.

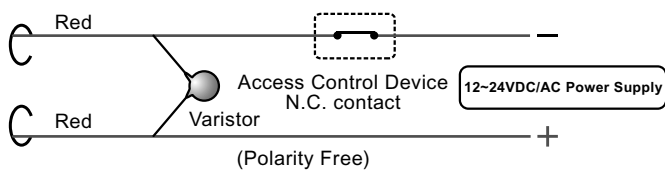
## Installing the Crimp Connectors



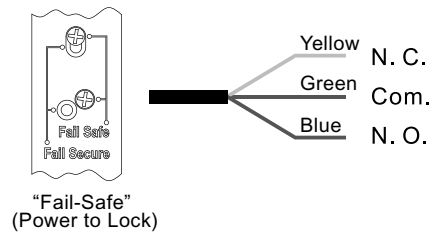
Use crimper or pliers and press the header of connector down to even position.

## Wiring Diagram

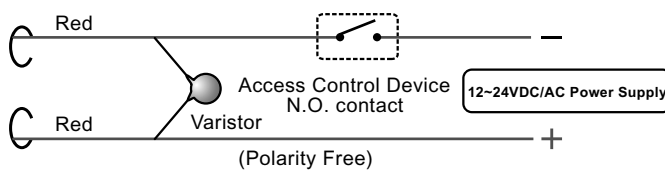
### For Fail-Safe Operation



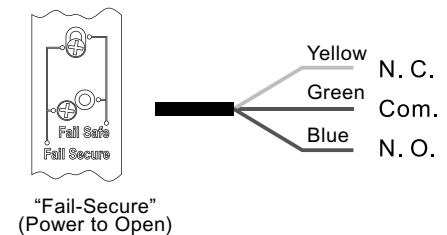
### Lock Bolt Sensor Switch Output



### For Fail-Secure Operation



### Lock Bolt Sensor Switch Output



**NOTE:** The varistor (or diode) must be connected across the terminals of electric locks to protect the electric lock from spikes and surges.