



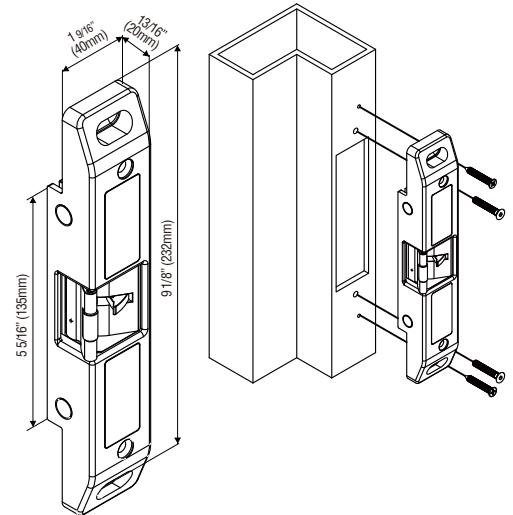
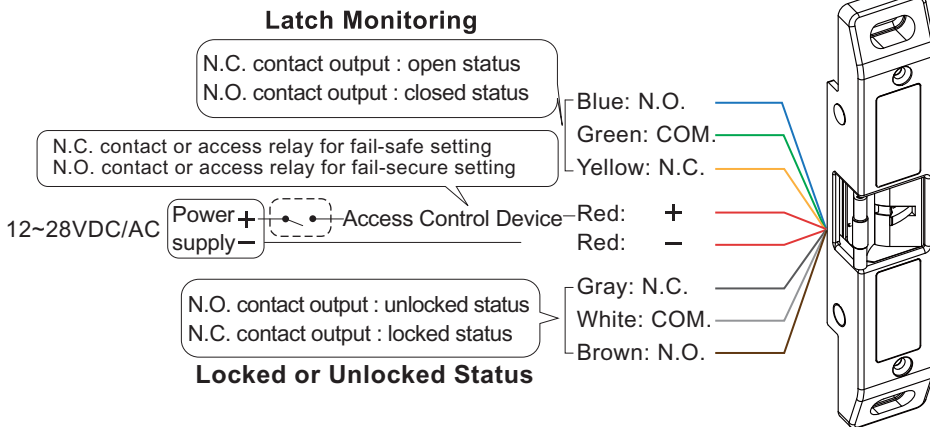
ROFU 2460 Series Rim Mount Strike Electric Strike Installation Instructions

ROFU Security International Corp.
 10029 S. Tacoma Way, E-11
 Lakewood, WA 98499 USA
 1-800-255-7638 (1-800-ALL-ROFU)
 www.ROFU.com
 OrderEntry@ROFU.com

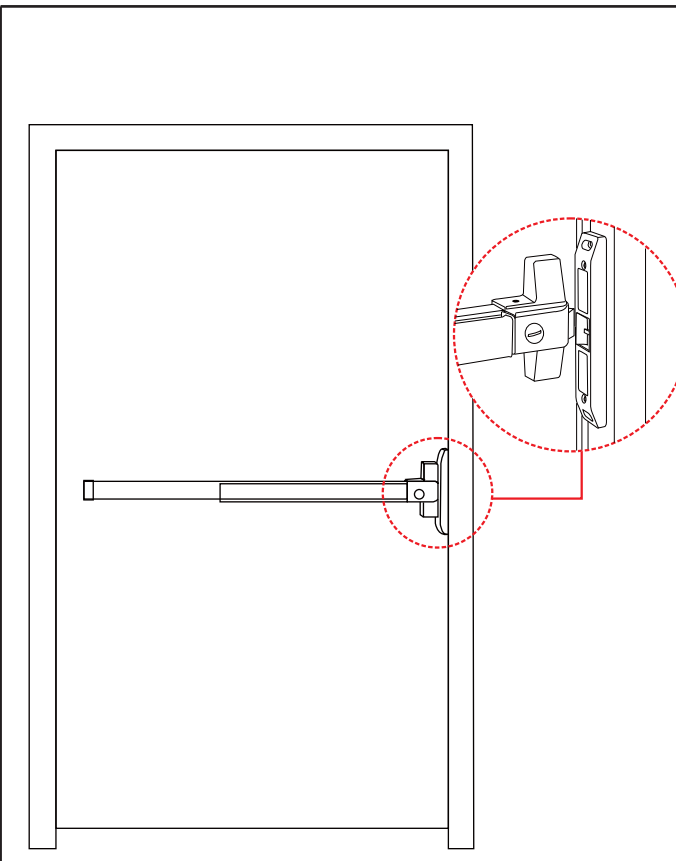
Wiring Diagram

Operating Voltage	12-28VAC/VDC
Voltage Tolerance	±15%
Current Draw	230mA/12VDC ; 140mA/28VDC 440mA/12VAC ; 230mA/28VAC
Operating Temperature	14°F to 113°F (-10°C to +45°C)
Humidity	0~95% non condensing
Max. Latch Throw	11/16" (17mm)
Cycle Test	Up to 1,000,000 (solenoid)
Holding Force	1,500 lbs

The ROFU 2460 Series Rim Mount strike for crash bars. Designed for doors with crash bars requiring a rim mount strike. The 2460 offers latch monitoring and strike locked/unlocked status monitoring. This electric strike lock can easily be reversed from fail-safe to fail-secure modes.

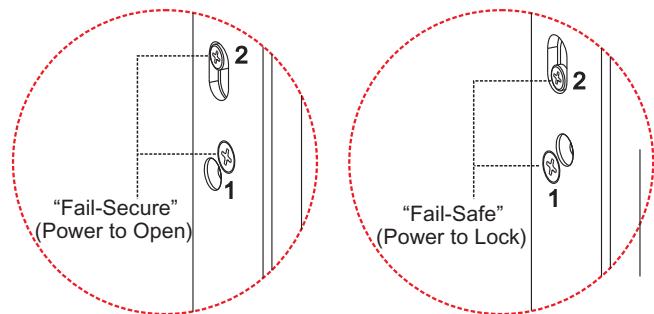


Surface Mount Installation



Reversible from Fail Secure to Fail Safe

Loosen screw #1 first. Loosen screw #2 and fix it to the other end. Fix screw #1 next to its original place.



Butt Splice (IDC) Connector

