



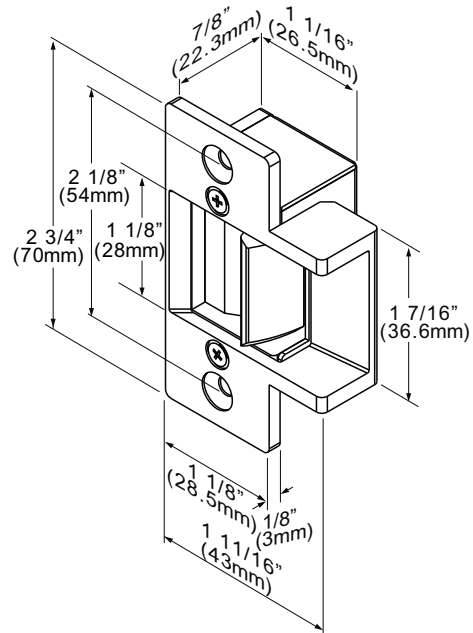
Electric Strike Installation Instructions

ROFU 1506

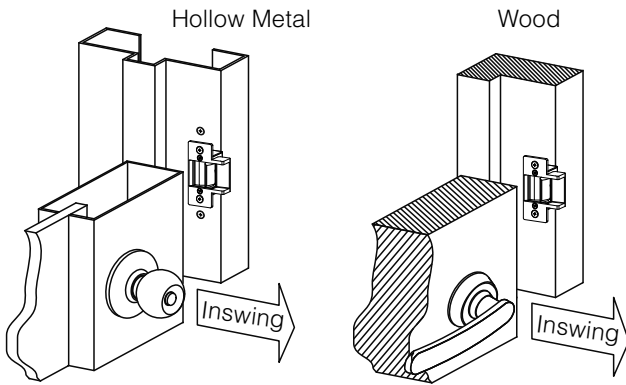
ROFU Security International Corp.
 10029 S. Tacoma Way, E-11
 Lakewood, WA 98499 USA
 1-800-255-7638 (1-800-ALL-ROFU)
 www.ROFU.com
 OrderEntry@rofu.com

Specifications

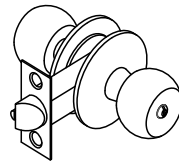
- Voltages:
 - 1506-01G 3 to 6 VDC or 8 to 16 VAC Intermittent Duty (Intermittent use: Not to exceed 10 seconds)
 - 1506-05G 12 VDC
 - 1506-08G 24 VDC
- Current Draw: 280mA/12VDC, 140mA/24VDC
- Operating Temperature: 14° to 120°F (-10° to 49°C)
- Humidity: 0%~85% Non-Condensing
- Latch Throw: 1/2" (13mm)
- Keeper Width: 1-1/8" (28mm)
- Cycle Test: 250,000+ cycles
- Static Strength: 1,000 lbs (454 kg)
- Strike Body: Zinc Alloy
- Faceplate Finish: US26D Satin Chrome
- Lock Mode: Fail-secure
- Swing Door Direction: Inswing



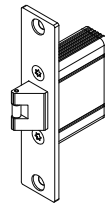
Frame Applications



Compatible Locks

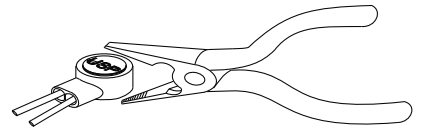


Cylindrical Lock



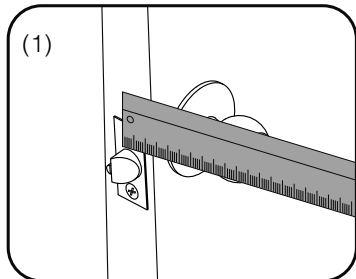
Door Latch

Installing the Crimp Connectors

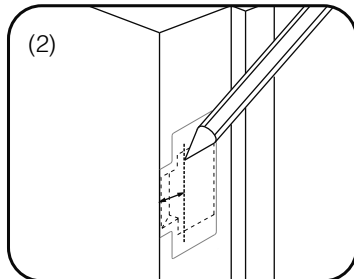


Place the wire inside the connector and use pliers to press down on the head of the connector evenly.

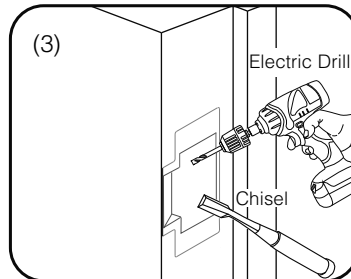
Installation Instructions for Wood Door Application



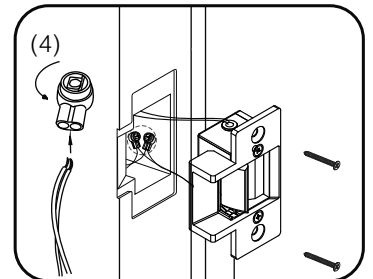
(1) Measure latch position



(2) Mark latch position line



(3) Drill and cut the frame



(4) Connect the wires using the crimp connectors, then test the strike, ensure you give it correct voltage

Note: Please ensure that there is no back pressure on the keeper from the latch. As with most strike this may cause the strike to bind and malfunction. It could also cause undo pressure on the solenoid and eventual failure of the strike.