

# ROFU 1106 Installation Instructions

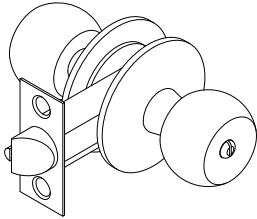


## Features

The ROFU 1106 provides a secure, economical and durable solution for gates. The NEW water drainage function makes it suitable for use on gates or semi-outdoor applications. A NEW one piece cast zinc alloy construction.

## Compatible Locks

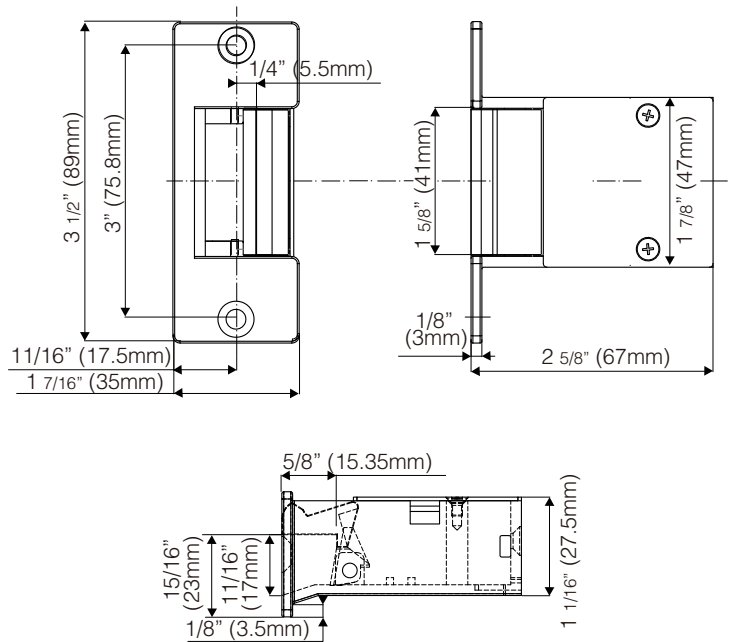
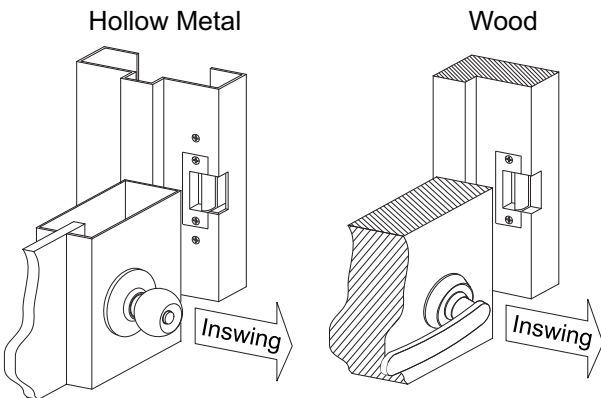
Designed for  
Cylindrical Locksets



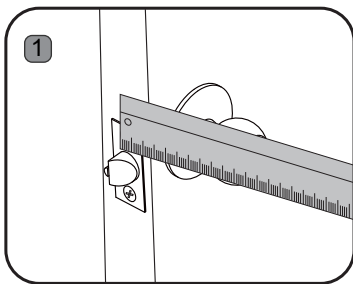
## Specifications

- Voltages: 1106-01= 8 ~ 16 VAC Intermittent Duty, 1106-02= 12/24 VDC/AC Intermittent Duty (Intermittent use: Not to exceed 20 seconds)
- Operating Temperature: -10°~49°C (14°~120°F)
- Humidity: 0~85% non-condensing
- Latch Throw: 9/16" (15mm)
- Keeper Width: 1 5/8" (41mm)
- Cycle Test: 250,000+ cycles
- Holding Force: 1,000 lbs (454Kg)
- Finish: US28 or US4
- Fail-secure
- Weight: 343g

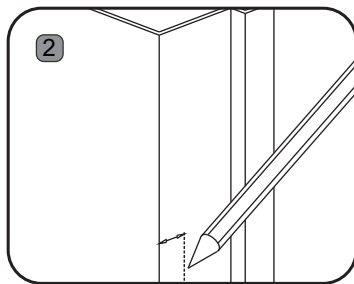
## Frame Applications



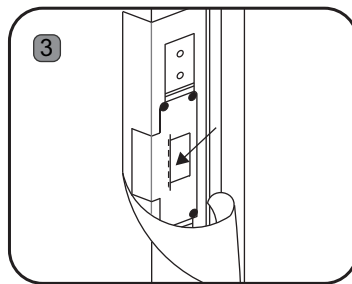
## Electric Strike Installation



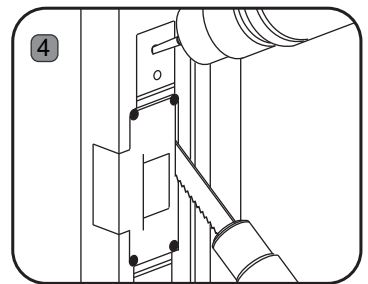
1 Measure latch position



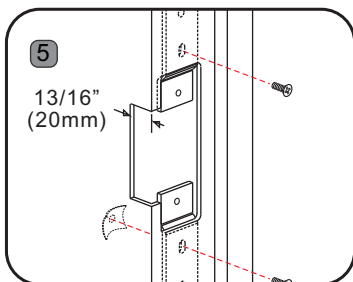
2 Mark latch position line



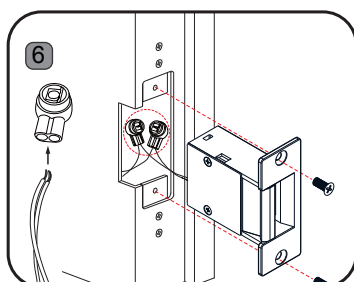
3 Attach sticker template to the marked center line



4 Drill and cut the frame according to the template



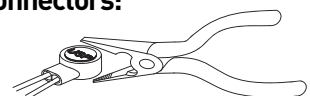
5 Attach mounting tabs if needed



6 Connect the wires using the crimp connectors, then test the strike, ensure you give it correct voltage

### Installing the Crimp Connectors:

Crimp connectors are provided to make wiring connections easier and reliable. To install the connectors:



1. Insert the wires into the connector.
2. Use a crimping tool or pliers to evenly press down on the head of the connector.