

ELECTROMAGNETS

8406M

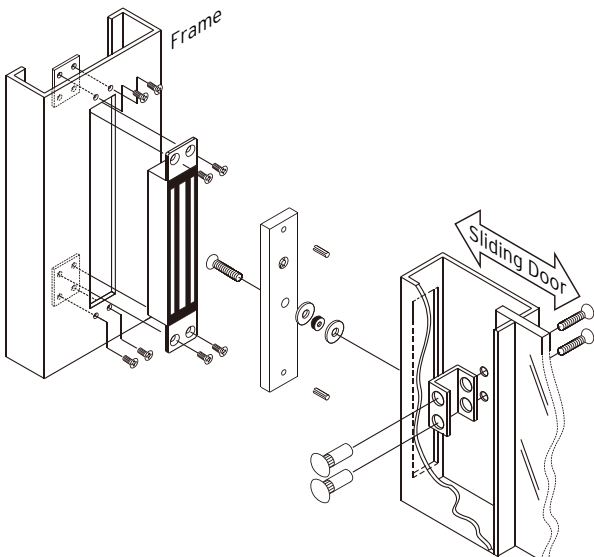
8406M Mini Sliding Door Electromagnet is a compact mortise maglock made with steel housing and is a durable option for high frequency use.

8406M is ideal for securing sliding or swinging, manual or automatic doors.

STANDARD FEATURES

- Easy installation: versatile mounting brackets included for new and existing installation
- Magnet designed to mortise into the jamb
- Armature plate mortises into the edge of sliding door
- Fail-safe: releases instantly when power is disconnected
- Fail alarm: may be released upon activation of fire alarm
- No residual magnetism

APPLICATIONS



SPECIFICATION

HOLDING FORCE	600 LB
VOLTAGE	12/24 VDC
CURRENT	500 mA/12 VDC , 250 mA/24 VDC
DIMENSIONS	Magnet: 7 1/2" x 1 1/2" x 1 1/8" (9 1/16" x 1 1/2" x 1 1/8") Armature: 7 1/4" x 1 1/2" x 1/2"

OPTIONAL BRACKETS

MODELS	DESCRIPTION
20925	Armature Mounting Bracket for Wood Jamb