

ELECTROMAGNETS  
**8403 SERIES**



8403S-12



8403M-12



8403F-12

ROFU 8403 Micro Electromagnets are designed for compact applications such as small cabinets, drawers, lockers and safes.

8403M-12 is designed for mortise installation on sliding doors.

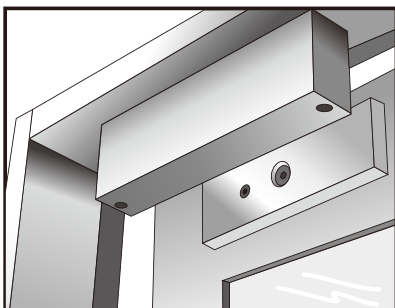
8403F-12 is for front or top mount installation.

8403S-12 is supplied with a mounting plate and is for standard surface mount installation.

**STANDARD FEATURES**

- Fail-safe: releases instantly when power is disconnected
- No residual magnetism
- Weather resistant cable connection
- This model is not recommended for life safety or high security applications
- Housing: attractive, heavy duty nickel plated steel

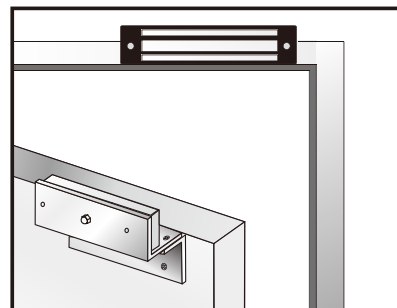
**APPLICATIONS**



8403S-12



8403M-12




8403F-12

**SPECIFICATION**

<b>HOLDING FORCE</b>	300 LB
<b>VOLTAGE</b>	12 VDC
<b>CURRENT</b>	300 mA/12 VDC
<b>DIMENSIONS</b>	<b>8403S-12</b> Magnet: 6 11/16" x 1 1/4" x 15/16" Armature Plate: 6" x 1 1/4" x 3/8"
	<b>8403M-12</b> Magnet: 7 7/8" x 1 1/4" x 15/16" Armature Plate: 6" x 1 1/4" x 3/8"
	<b>8403F-12</b> Magnet: 6 11/16" x 1 1/4" x 15/16" Armature Plate: 6" x 1 1/4" x 3/8"

**OPTIONAL BRACKETS**

MODELS	DESCRIPTION
 20918	Mounting Plate for 8403S-12

ELECTROMAGNETS

ELECTRIC STRIKES

EXIT DEVICES

MISC. ACCESS CONTROL