

2470

ROFU 2470 Rim Mount Strike is a fully surface mount strike and designed with strength and durability for rim exit devices with a 3/4" latch throw.

No cutting on the frame is required and it is field selectable for fail-safe and fail-secure. The strike operates at both 12 and 24 VDC and is designed for indoor use only.



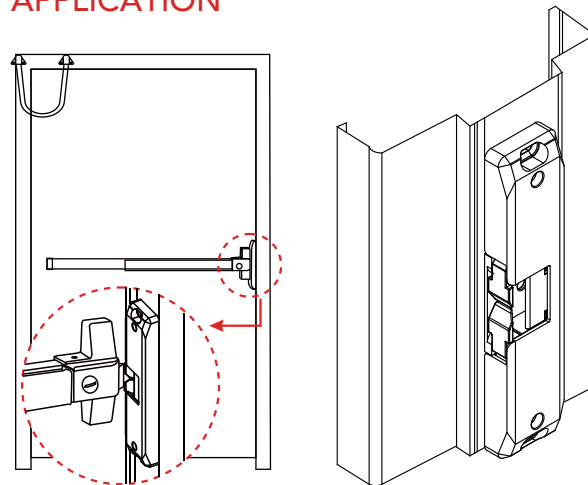
STANDARD FEATURES

- Dual voltage 12/24 VDC field selectable
- Field reversible: fail-secure or fail-safe
- No frame cutting required - surface mounted
- Non-handed fully reversible
- Horizontal adjustment
- Static strength 1500 LB (680 KG)
- Dynamic strength 70 ft-lbs (9.68 m-kgs)
- Endurance rating 250,000 cycles UL tested,
- 1,000,000 factory tested

SPECIFICATION

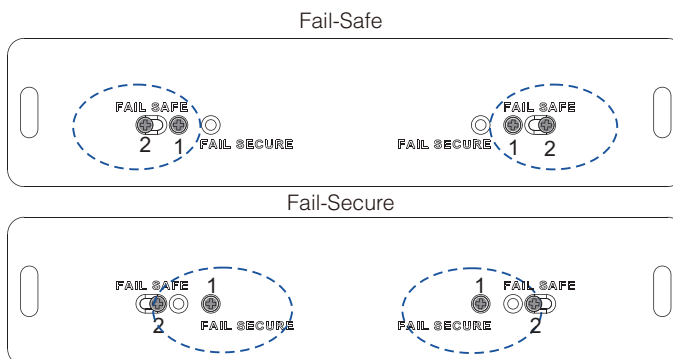
VOLTAGE	12/24 VDC
CURRENT DRAW	540 mA/12 VDC, 270 mA/24 VDC
MODE	Field reversible fail-safe or fail-secure
STATIC STRENGTH	1500 LB (680 KG)
DYNAMIC STRENGTH	70 ft-lbs (9.68 m-kgs)
HOUSING THICKNESS	3/4" (19 mm)
OPERATING TEMP.	14°F to 120°F (-10°C~+49°C)
HUMIDITY	0~85% non-condensing
DIMENSIONS	8" x 1 3/4" x 3/4"

APPLICATION



CHANGING FAIL-SAFE / FAIL-SECURE

Fail-safe or fail-secure is field reversible by changing the position of screws.



ELECTROMAGNETS

ELECTRIC STRIKES

EXIT DEVICES

MISC. ACCESS CONTROL