

2420



The 2420 Series ANSI electric strikes are designed for use with cylindrical locksets and can be installed on metal and wood door frames. The strikes can be configured to fail-safe or fail-secure on site.

STANDARD FEATURES

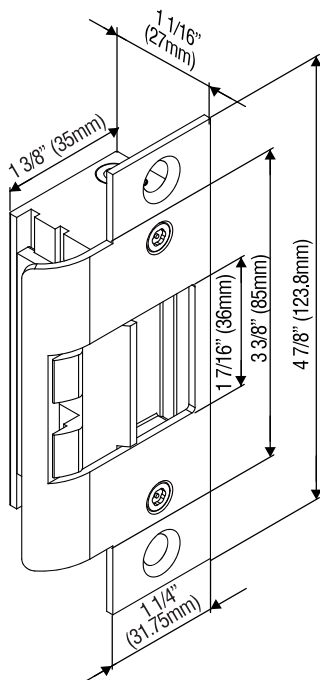
- No frame cutting is required
- Dual voltage 12/24 VDC field selectable
- Non-handed fully reversible
- Field reversible: fail-safe or fail-secure
- Static strength 1500 LB (680 KG)
- Dynamic strength 70 ft-lbs
- Endurance 100,000 cycles UL tested
- Brushed stainless steel (US32D) finish



SPECIFICATION

VOLTAGE	12/24 VDC
CURRENT	300 mA/12 VDC, 150 mA/24 VDC
STATIC STRENGTH	1500 LB (680 KG)
DYNAMIC STRENGTH	70-ft-lbs. (9.67 m-kgs)
DIMENSION	4 7/8" x 1 1/4" x 1 1/16"
LATCH THROW	9/16" max
KEEPER WIDTH	1 7/16" max

Dimensions



OPTIONAL FEATURE

MODEL	2420-LM
LATCH MONITORING	Rating: 0.3 A/ 6 VDC

Changing Fail-Safe / Fail-Secure

Fail-safe or fail-secure is field reversible by reversing the round screw.

