

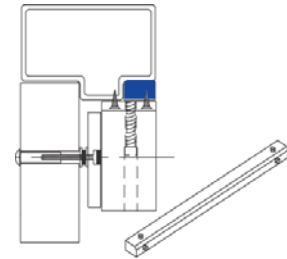
FILLER PLATES

SPECIFICATION

MODELS	21000	21001	21004	21004
DIMENSION	1/2" x 3/4"		5/8" x 3/4"	
FINISH	US40	US28	US40	US28
FOR MODEL	8512/8612 MODELS			



21000 & 21001



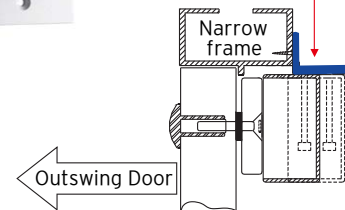
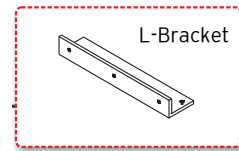
ANGLE BRACKETS

SPECIFICATION

MODELS	21020	21021
DIMENSION	1" x 1 1/2" x 5/16"	
FINISH	US40	US28
FOR MODEL	8512/8612 MODELS	



21020 & 21021



ARMATURE PLATES & HOUSINGS

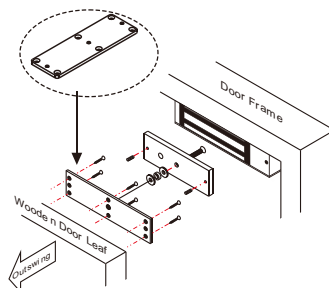
MODELS	DESCRIPTION
20915	Split Armature Plate Kit (Pair) (For 8512/8612 (LC Only))
21050	Armature Mounting Bracket (For 8512/8612 Models)
21070 & 21071 (US40)	Armature Housing (For 8606-BD)
21080 & 21081 (US40)	Armature Housing (For 8512/8612 (LC Only))



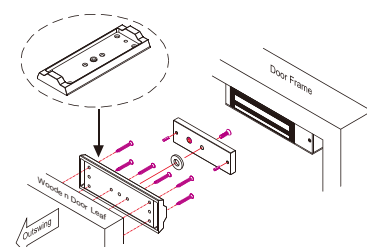
20915



21050



21070 & 21080



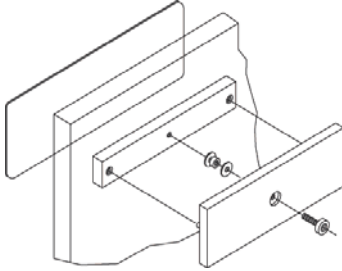
ELECTROMAGNETS

ELECTRIC STRIKES

EXIT DEVICES

MISC. ACCESS CONTROL

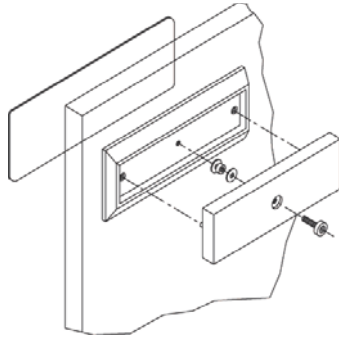
Brackets for Glass Doors



- Mounting bracket 1" x 7" x 1/2"
- Aluminum plate 8 5/8" x 3 3/8" x 1/8"
- Hardware pack

MODELS	DESCRIPTION
21055	Armature Mounting Bracket (For 8606/8512/8612)
21056	Armature Mounting Bracket in US40 (For 8606/8512/8612)

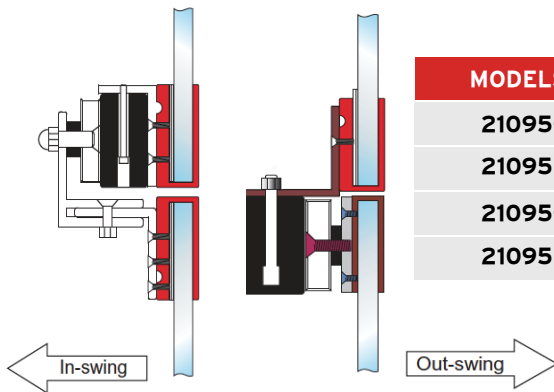
Housings for Glass Doors



- Aluminium mounting bracket
- Aluminum plate 8 5/8" x 3 3/8" x 1/8"
- Hardware pack

MODELS	DESCRIPTION
21047	Armature Housing (For 8606-BD)
21048	Armature Housing in US40 (For 8606-BD)
21057	Armature Housing (For 8512/8612)
21058	Armature Housing in US40 (For 8512/8612)

Brackets for Full Frame Glass Doors



MODELS	DESCRIPTION
21095-In	2 U-Bracket & Z-Bracket (For 8005 US40)
21095N-In	2 U-Bracket & Z-Bracket (For 8606-BD)
21095-Out	2 U-Bracket & L-Bracket (For 8005 US40)
21095N-Out	2 U-Bracket & L-Bracket (For 8606-BD)

Other Glass Doors Accessories



MODELS	DESCRIPTION
21076	U-Bracket for Armature Plate (For 8606-BD)
21077	U-Bracket for Armature Plate (For 8512/8612 Models)
21990	Glue Kit for Glass Door Installation