

1507

STANDARD FEATURES

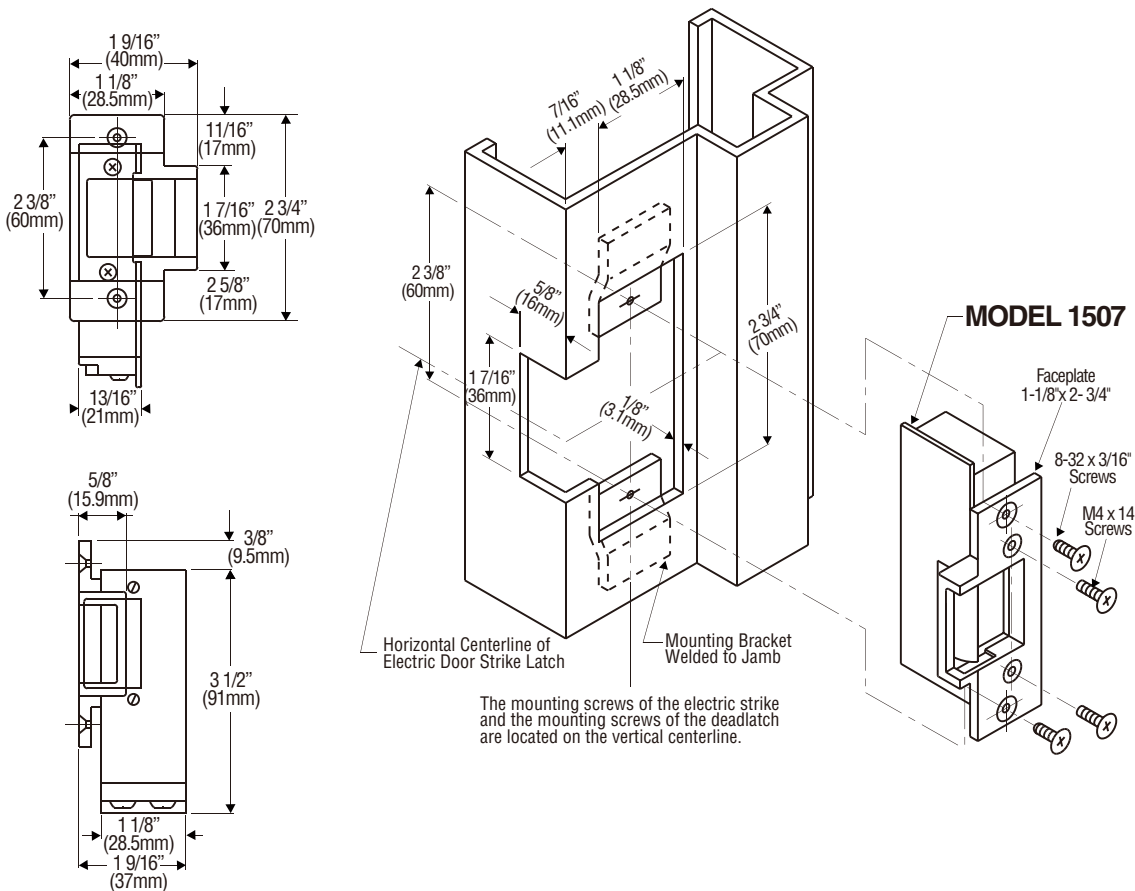
- Fail-secure, faceplate size 2 3/4" x 1 1/4"
- Keeper depth - 5/8" maximum latch projection possible with 1/8" door/frame clearance - 3/4"
- Zinc/Aluminum alloy faceplate, suitable for hollow metal and aluminum frames
- Reversible - non-handed
- Limited warranty - 12 months

SPECIFICATION

TAMPER STRENGTH	1000 LB (454 KG)
VOLTAGE	1507-01 8-16 VAC/3-6 VDC 1507-05 12 VAC/VDC 1507-08 24 VAC/VDC
FINISH	US26D or US4



SPECIFICATION DETAILS



ELECTROMAGNETS

ELECTRIC STRIKES

EXIT DEVICES

MISC. ACCESS CONTROL